



Appl. No. 10/696,277
Amdt. Dated July 30, 2004
Reply to Missing Parts of June 22, 2004
Replacement Sheet 1 of 5

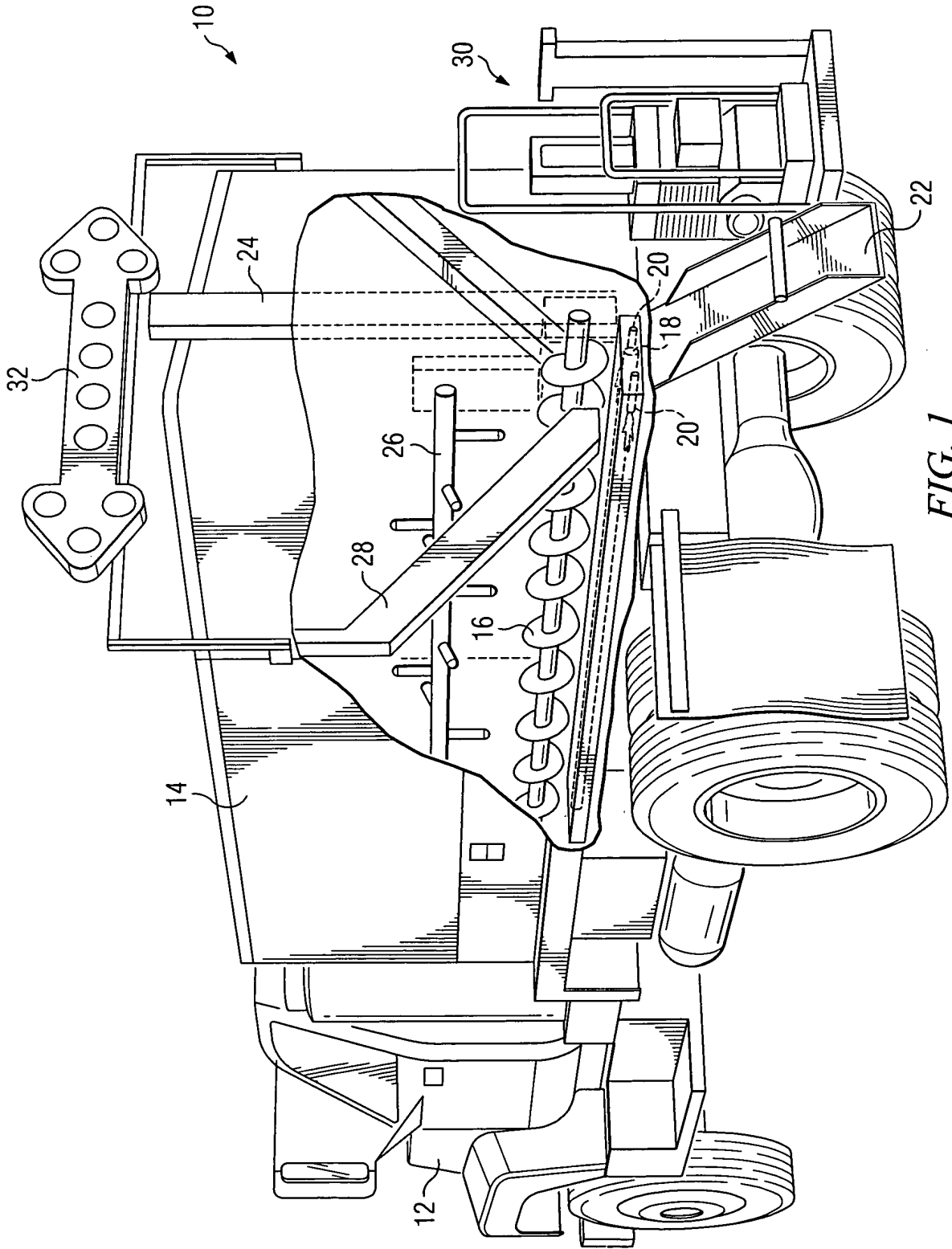
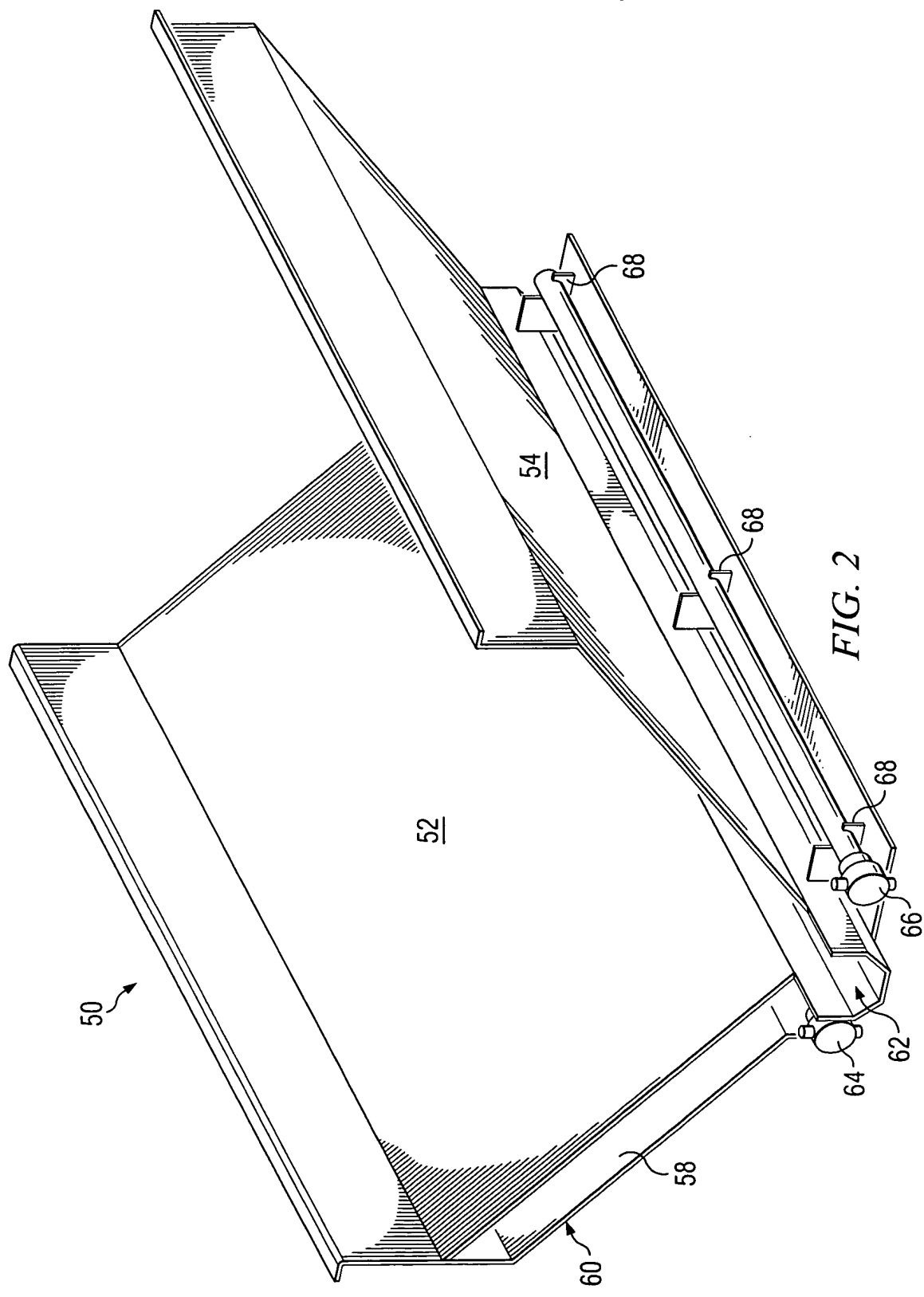


FIG. 1



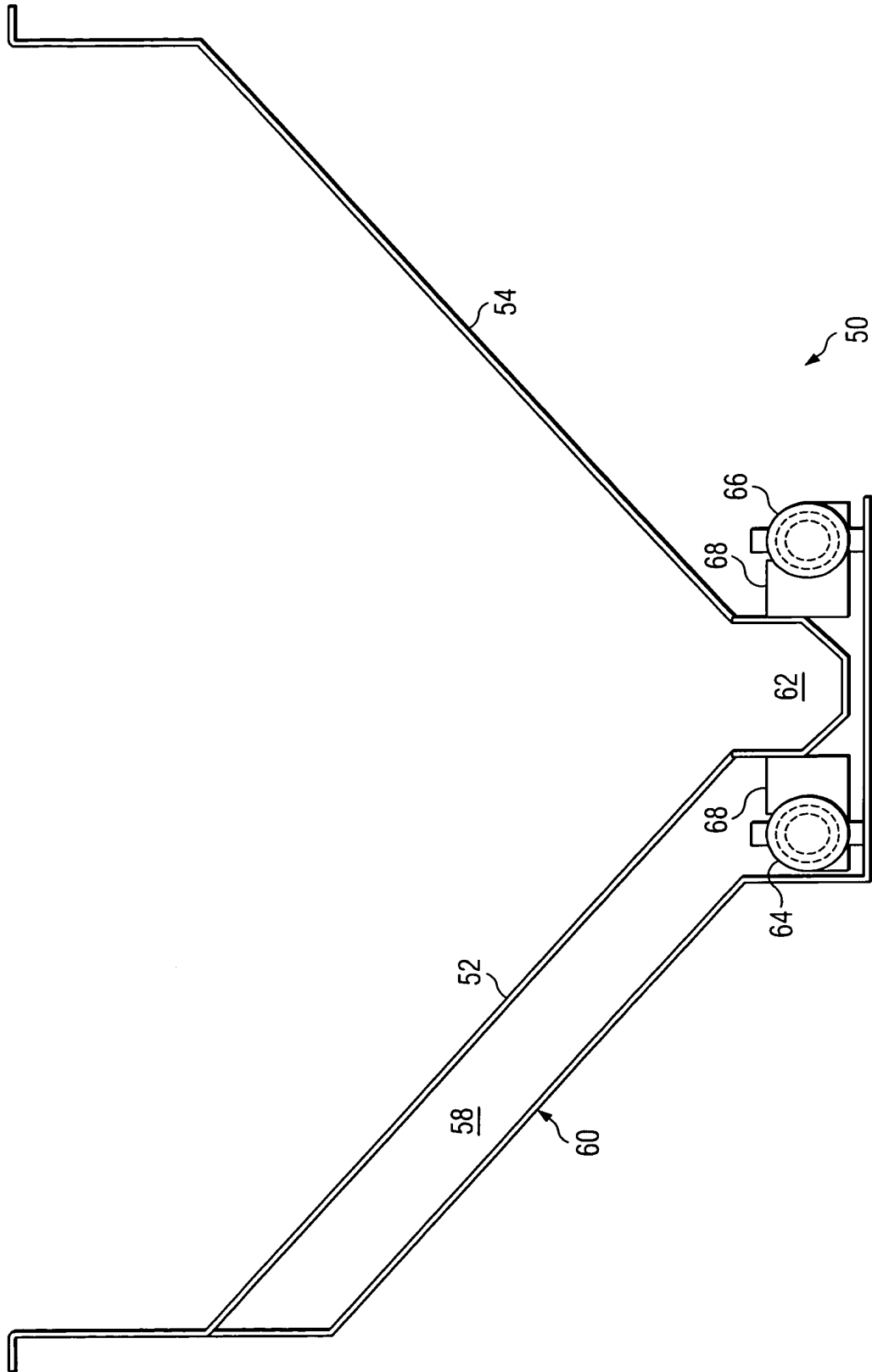


FIG. 3

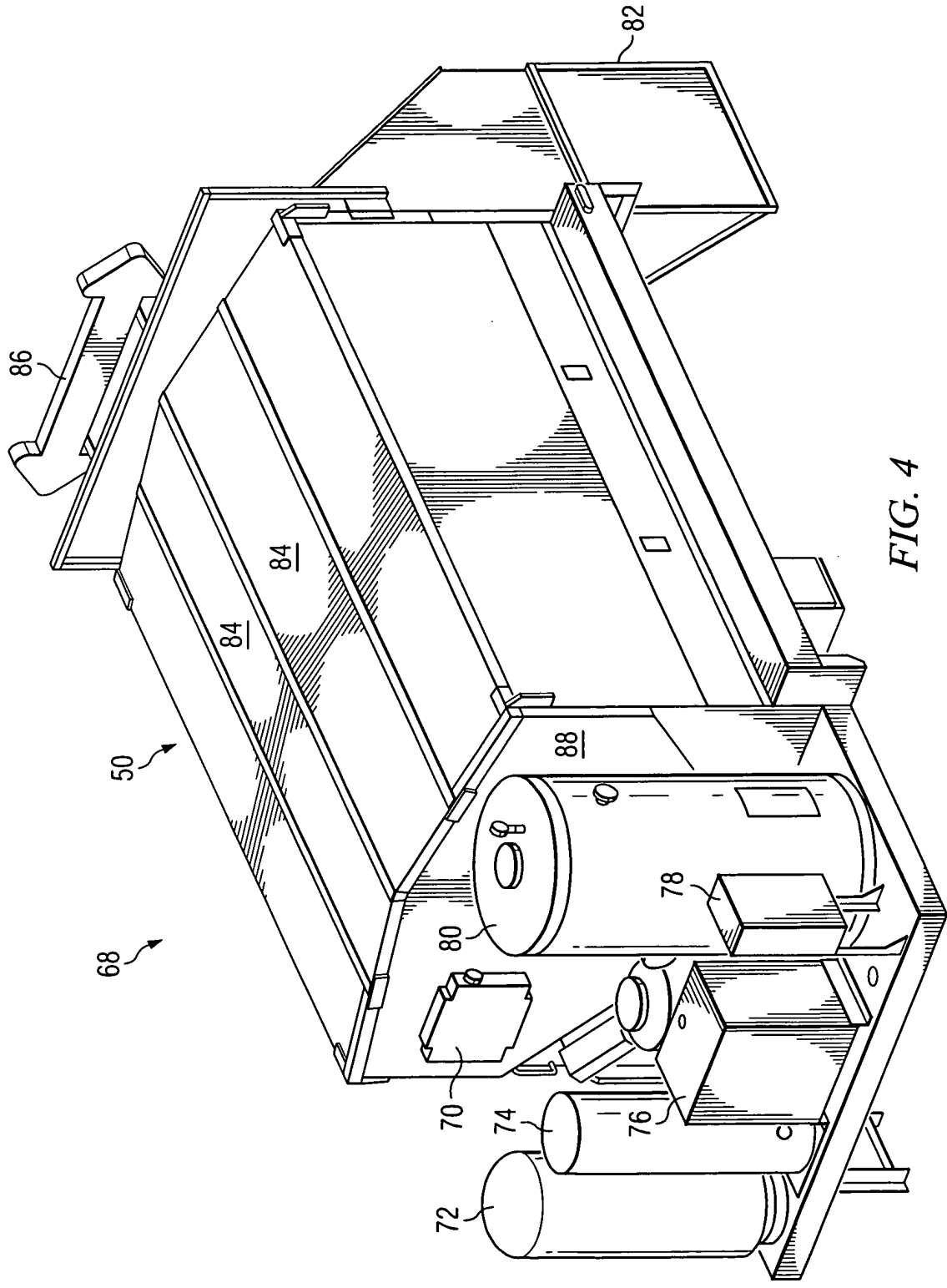


FIG. 4

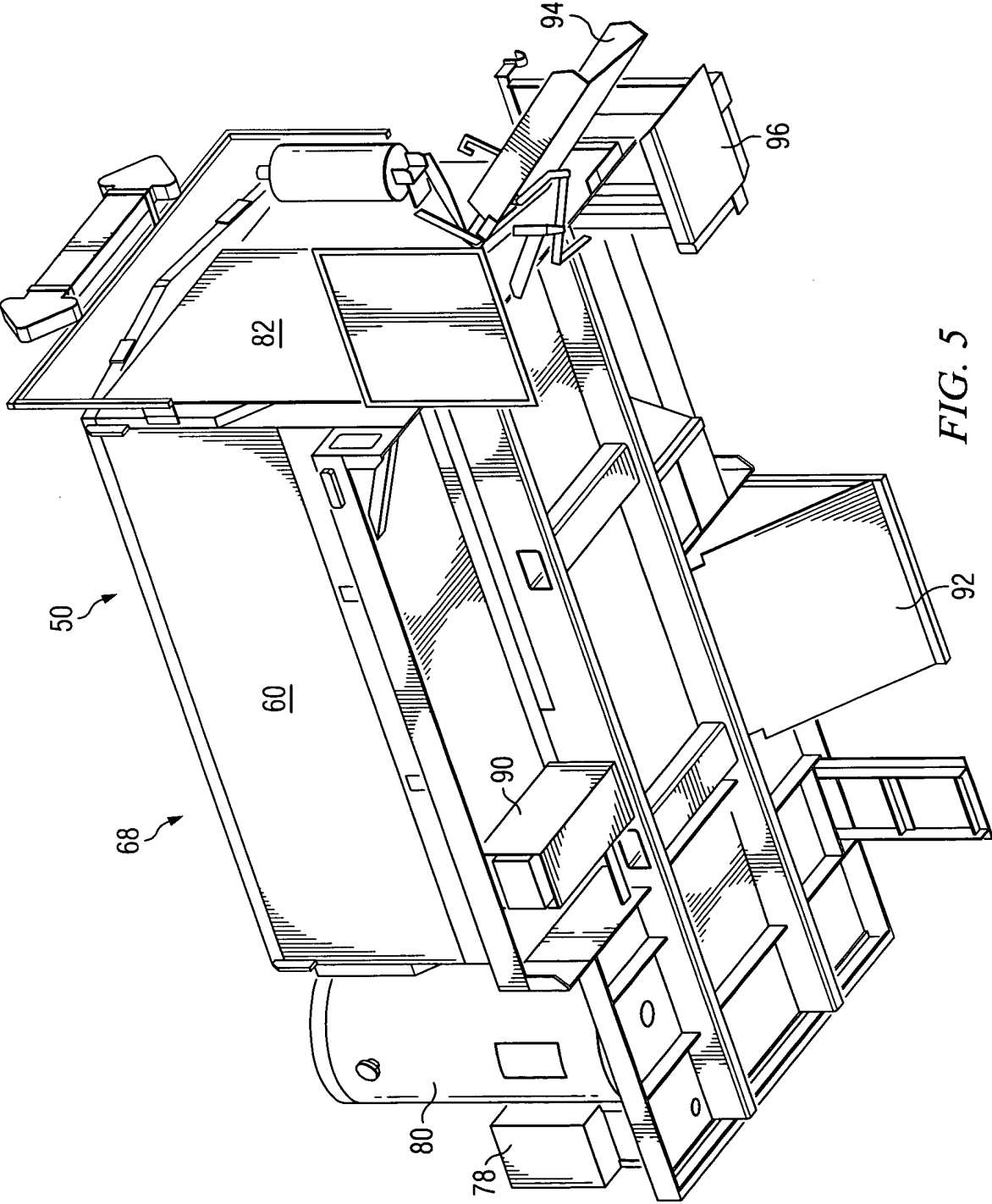


FIG. 5